



3 GHz BNC N/O S.P.4 T. SWITCH

OPTIONS : INDICATOR

**R F CHARACTERISTICS**

NUMBER OF WAYS : 4  
 FREQUENCY RANGE : 0 - 3 GHz  
 IMPEDANCE : 50 Ohms

|                 |         |
|-----------------|---------|
| FREQUENCY (GHz) | 0 - 3   |
| V.S.W.R <=      | 1.20    |
| INSERT. LOSS <= | 0.20 dB |
| ISOLATION >=    | 80 dB   |
| AVER. POWER (*) | 240 W   |

**ELECTRICAL CHARACTERISTICS**

ACTUATOR : NORMALLY OPEN  
 NOMINAL CURRENT AT 25° C (±10%) : 102 mA  
 ACTUATOR VOLTAGE (Vcc) : 28V (24 to 30V) / NEGATIVE COMMON  
 TERMINALS : 25 pins D-SUB male connector  
 INDICATOR RATING : 1 W / 30 V / 100 mA

**MECHANICAL CHARACTERISTICS**

CONNECTORS : BNC female per MIL C 39012  
 LIFE : 2.000.000 cycles per position  
 SWITCHING TIME (nominal voltage;25° C) : < 15 ms  
 CONSTRUCTION : splashproof  
 WEIGHT : < 460 g

**ENVIRONMENTAL CHARACTERISTICS**

OPERATING TEMPERATURE RANGE (°C) : -40 , +85  
 STORAGE TEMPERATURE RANGE (°C) : -55 , +85

(\* : average power at 25° C per RF path)

This information is given as an indication. In the continual goal to improve our products, we reserve the right to make any modifications judged necessary

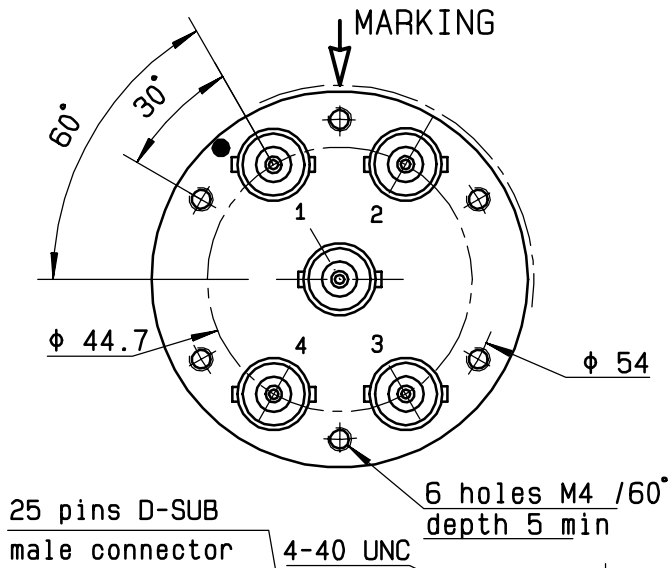
4112-9212

DRAWING

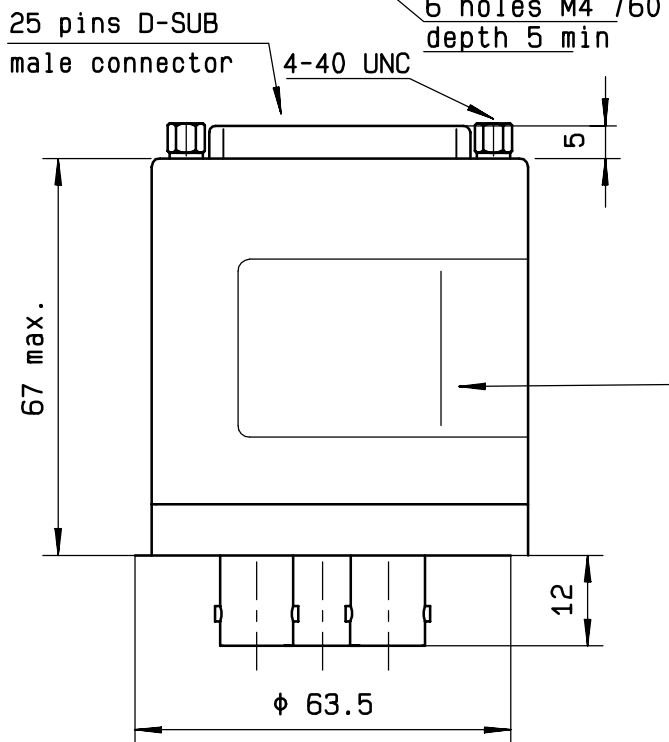
General tolerance: ± 0,5 mm

R573 213405

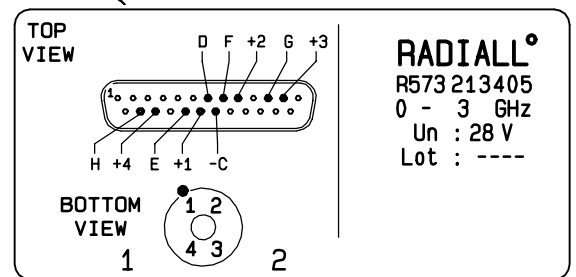
Page 2/2



| Voltage | RF continuity | Ind. |
|---------|---------------|------|
| -C +1   | IN ↔ 1        | D.E  |
| -C +2   | IN ↔ 2        | D.F  |
| -C +3   | IN ↔ 3        | D.G  |
| -C +4   | IN ↔ 4        | D.H  |

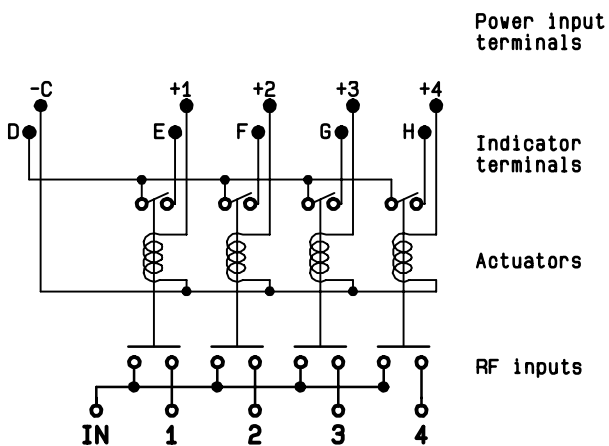


MARKING TOP VIEW (TERMINALS)



**RADIALL<sup>o</sup>**  
 R573 213405  
 0 - 3 GHz  
 Un : 28 V  
 Lot : ----

SCHEMATIC DIAGRAM



4113-9212 This information is given as an indication. In the continual goal to improve our products, we reserve the right to make any modifications judged necessary